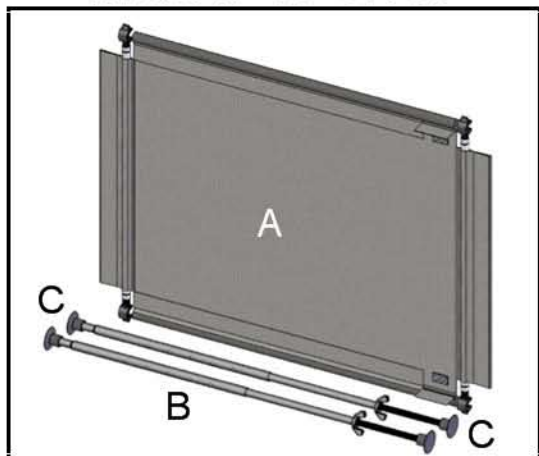


'The Perfect Pet Gate'™

Assembly Instructions
Model # DB-07737



Parts List

- A - Canvas Cover (1)
- B - Rails for Top or Bottom (2)
- C - Rubber Bumpers (4)

STEP 1



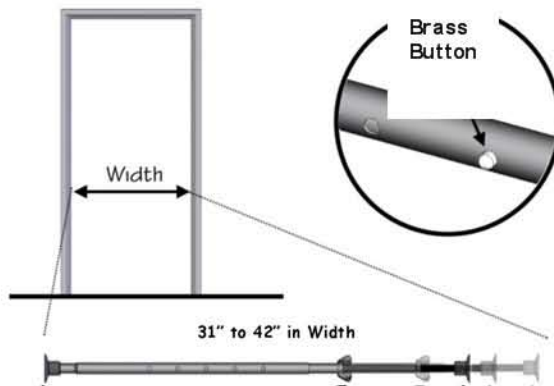
Take the 2 Rails (B) and adjust the Wing-Nut until the rubber insert for Rubber Bumper (C) is clear of the Wing-Nut.

STEP 2



Place a Rubber Bumper (C) on the two ends of both Rails (B).

STEP 3



Using the Rails (B) with the Rubber Bumpers (C) attached, adjust the width of the Rails (B) to the opening you are going to block. The rails can be lengthened or shortened by pressing the Brass Button on each Rail.

STEP 4



After Step 3 is accomplished, further adjustments to the width of the rails can be accomplished by tightening the Wing-Nut.

NOTE: Adjust Rails (B) until they touch each side of the opening.

STEP 5

Remove the Rubber Bumper (C) from the end of the Rail (B) opposite the Wing-Nut end.



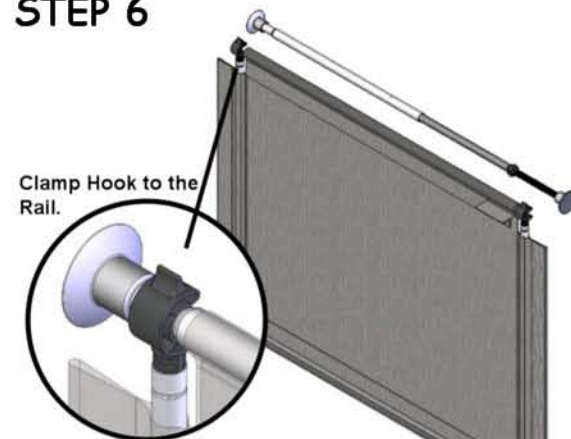
Don't Leave Your Best Friend at Home!!!

from
KING RACK INDUSTRIAL CO., LTD

Visit us @ www.doggieblockers.com

Made in Taiwan

STEP 6



Insert the ends of each Rail (B) that are now without a Rubber Bumper (C) into the top and bottom openings of the Canvas Cover (A).



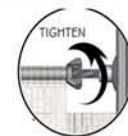
NOTE: Make sure that the ends of the Rails (B) with Wing-Nuts are positioned on same side of Canvas Cover (A) as the Velcro flaps.

STEP 7

Clamp side rail hooks to the Rails (B) (top & bottom) and both ends of Rails (B).

See diagram under **Step 6**.

STEP 8



Use the Wing-Nuts on both Rails (B) to insure that the gate is snugly placed in the opening. Using pressure on both Rails (B) make sure that gate does not slip out of position.